

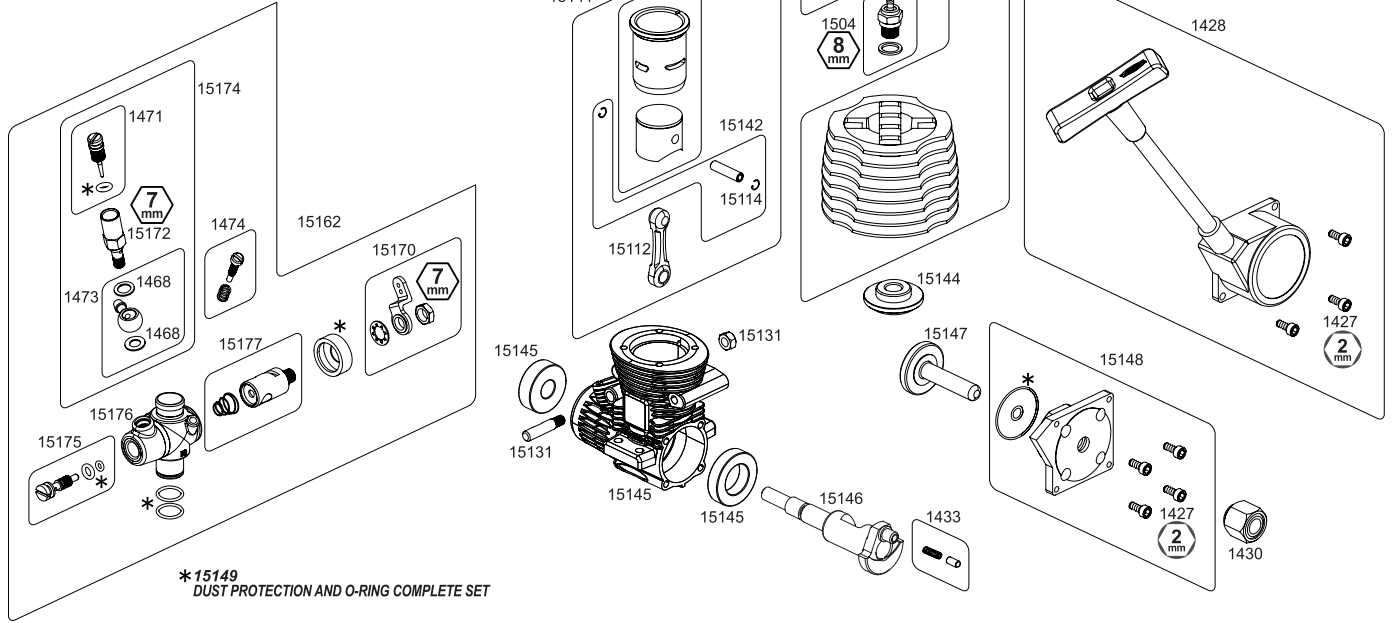
NITRO STAR G3.0

Horsepower	Maximum RPM	Displacement	Carburetor	Construction
2.17hp	32,000rpm	.18cu in, 3.01cc	6.5mm	ABC



- ABC construction
- 6.5mm Rotary Carb
- Side Exhaust
- SG Shaft
- Roto Start compatible (Roto Start part #87132)

#15105 Nitro Star G3.0 Engine w/Pullstart



NITRO STAR T3.0

Horsepower	Maximum RPM	Displacement	Carburetor	Construction
2.2hp	32,000rpm	.18cu in, 3.01cc	6.5mm	ABC



- ABC construction
- 6.5mm Rotary Carb
- Side Exhaust
- SG Shaft
- Roto Start compatible (Roto Start part #87132)

#15107 Nitro Star T3.0 Engine w/Pullstart

